
AD-63

—— CONTENTS ——

FIG.1 AD-63 2

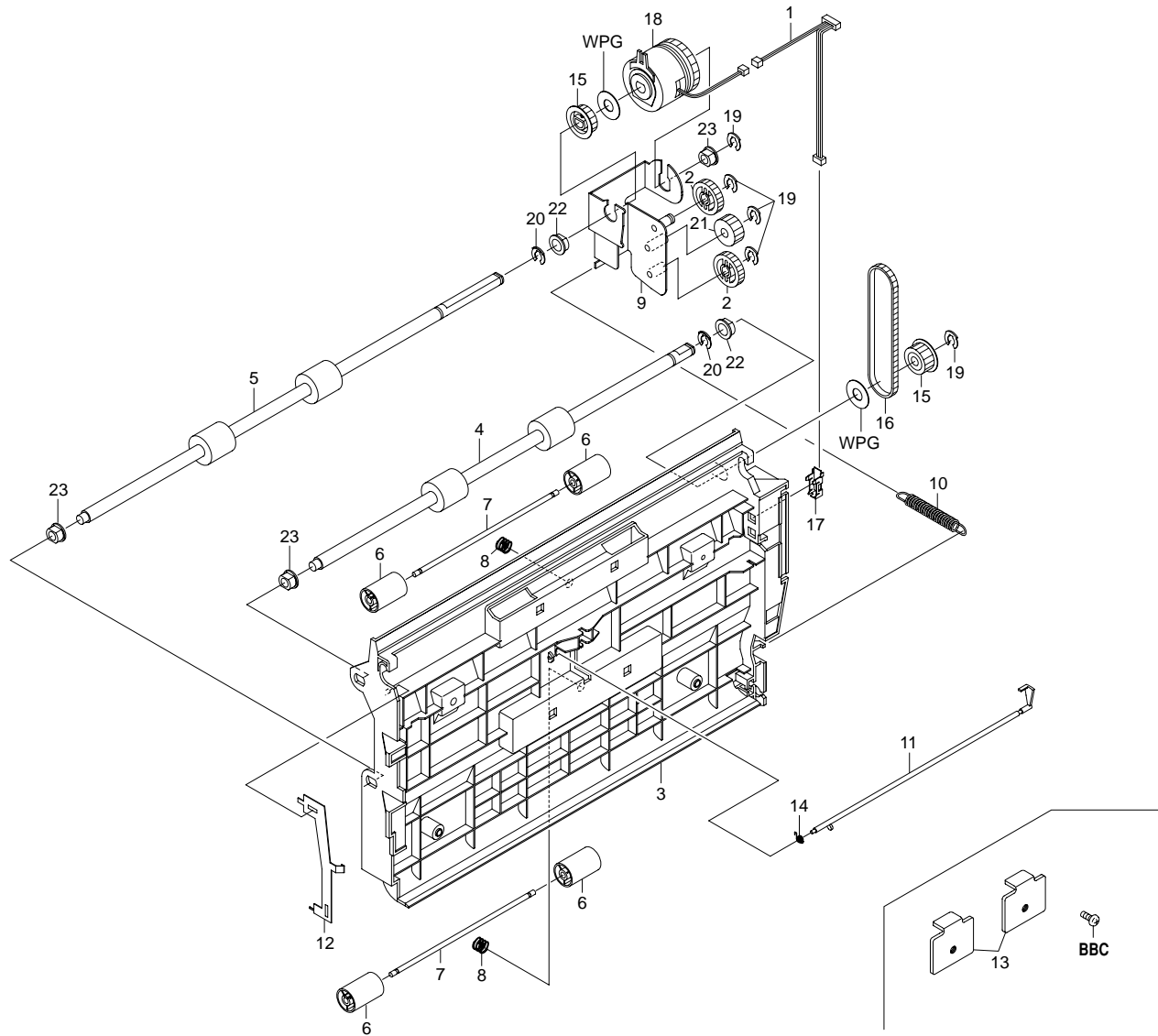


FIG. 1 AD-63

3CX

SP	Ref. No.	Part. No.	Description	Quantity		
				120V	230V	240V
●	1	3CX27010	WIRE DUPLEX(C)	1	1	1
	2	2AL06110	GEAR 25	2	2	2
	3	2BL07010	FRAME DU	1	1	1
●	4	2BL07020	ROLLER DU FEED UP	1	1	1
●	5	2BL07030	ROLLER DU FEED LOW	1	1	1
●	6	2BL07040	PULLEY DU	4	4	4
	7	2BL07050	SHAFT DU PULLEY	2	2	2
	8	2BL07060	SPRING DU PULLEY	2	2	2
	9	2BL07070	JOINT DU	1	1	1
	10	2BL07080	SPRING DU JOINT	1	1	1
●	11	2BL07090	ACTUATOR DU	1	1	1
	12	2BL07110	PLATE EARTH DU	1	1	1
	13	2BL07120	PLATE NUT DU	2	2	2
●	14	2BL07130	SPRING DU ACT.	1	1	1
●	15	2BL21230	PULLEY EXIT T30	2	2	2
●	16	2BL21240	BELT EXIT P2M212	1	1	1
●	17	2BL27450	SWITCH PI	1	1	1
●	18	2BL27500	CLUTCH FEED	1	1	1
●	19	34806150	STOPPER 5	5	5	5
●	20	34806480	STOPPER 6	2	2	2
●	21	66506630	GEAR 20,IDLE	1	1	1
●	22	67322230	BUSHING 8	3	3	3
●	23	73210450	BUSH, 6	2	2	2

• Parts with "●" indicates the Service parts.